

Spare Rudder Seal Carrier

PRODUCT OVERVIEW



Australasia/Pacific

Contact Dave: +61 402 062 449

info@tidesmarine.com.au

www.tidesmarine.com.au

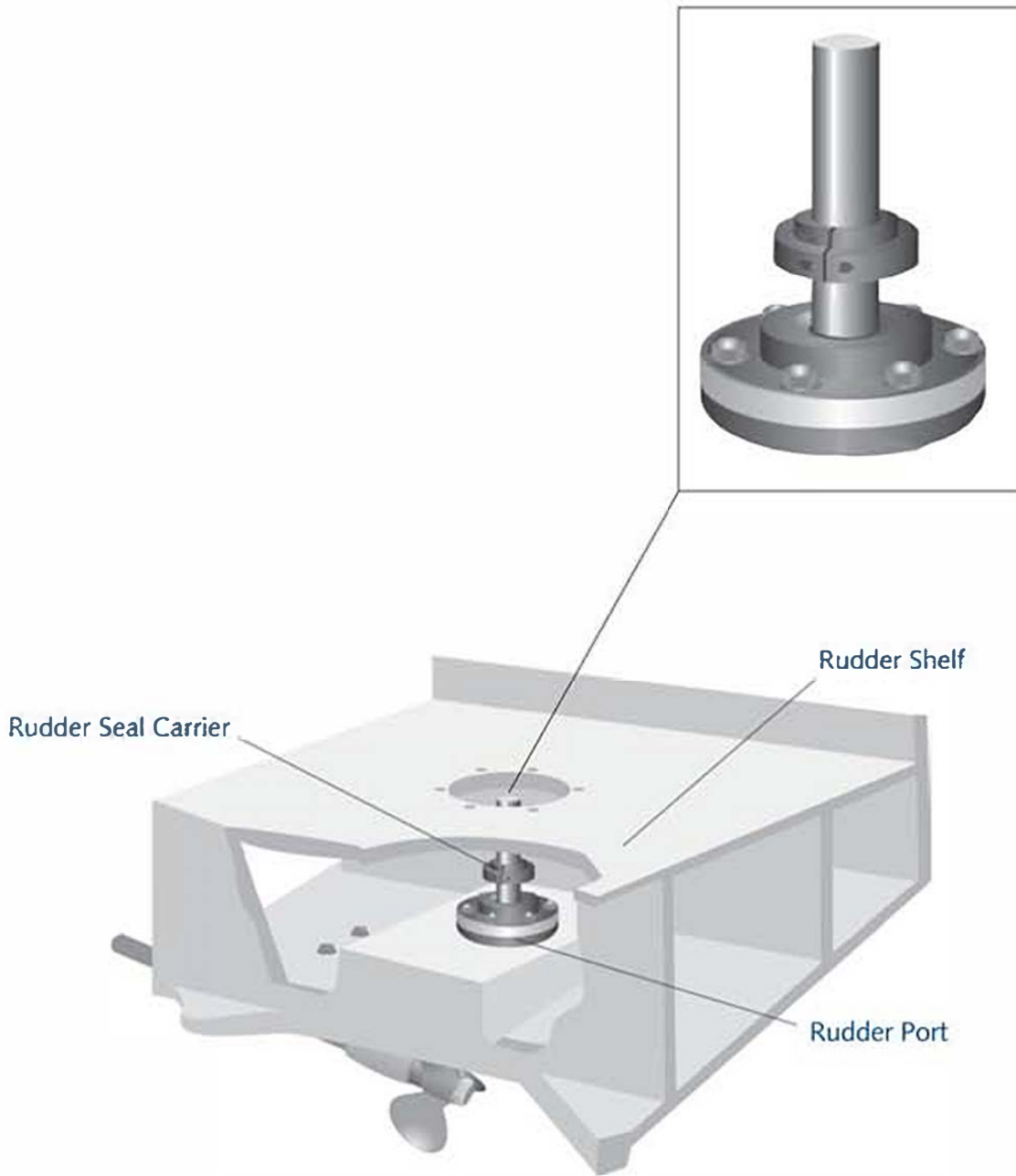


Tides Marine Spare Rudder Seal Carriers were developed as a convenient place to store spare lip seals on the rudder stock. The unit also makes the job of replacing the lip seal in a Tides Marine rudder port easier and is recommended as an accessory for all Tides Marine rudder ports. Installed at the same time as the RPB, they allow the lip seal to be replaced without uncoupling the rudder stock from the steering system or dropping the rudder.

The unit is a lightweight, two-piece, filled-nylon housing which is affixed to the rudder stock between the Tides RPB and the upper rudder bearing. Each unit comes with a lip seal and red installation hat.

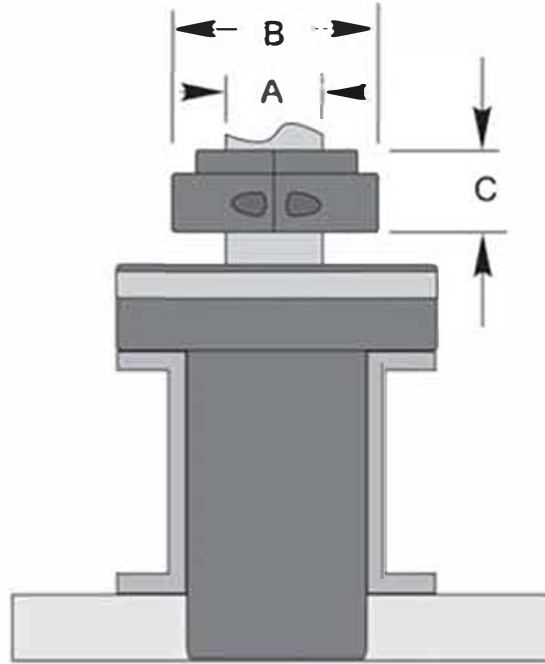
Spare Rudder Seal Carrier

PRODUCT OVERVIEW



Spare Rudder Seal Carrier

BEFORE ORDERING



Measure the exact diameter (.000) of your rudder stock. Next, confirm that there is sufficient space to accommodate both the diameter of the Carrier (Column "B" in the table below) and its the overall height (Column "C" in the table below).

Spare Rudder Seal Carrier

Specifications (dimensions in inches)

STOCK	DIAMETER	HEIGHT	PART NUMBER
A	B	C	
1	2 1/2	1 1/8	KR-1000
1 1/8	2 1/2	1 1/8	KR-1125
1 1/4	2 1/2	1 1/8	KR-1250
1 3/8	3	1 1/8	KR-1375
1 1/2	3 1/2	1 1/8	KR-1500
1 3/4	3 1/2	1 1/8	KR-1750
2	4	1 1/8	KR-2000
2 1/4	4 1/2	1 3/8	KR-2250
2 1/2	5	1 3/8	KR-2500
2 3/4	5	1 3/8	KR-2750
3	5	1 3/8	KR-3000
3 1/4	5	1 3/8	KR-3250
3 1/2	5 1/2	1 3/8	KR-3500
3 3/4	5 1/2	1 3/8	KR-3750
4	6	1 3/8	KR-4000
4 1/2	6	1 3/8	KR-4500
5	7	1 3/8	KR-5000