

Rudder Port Bearings - With Seals



Australasia/Pacific
Contact Dave: +61 402 062 449
info@tidesmarine.com.au
www.tidesmarine.com.au

Type K

PRODUCT OVERVIEW

Packing Nut Replacement



Cutlass Bearing Replacement



Available separately or as a kit

The Tides Marine RPB Type K was designed to be used with certain flanged, bronze rudder ports with two mounting studs to accept/adjust the flax packing collar. These units mount directly over the existing studs and are available with or without a lower bearing insert. This insert installs from outside the hull and usually replaces a conventional marine cutless bearing.

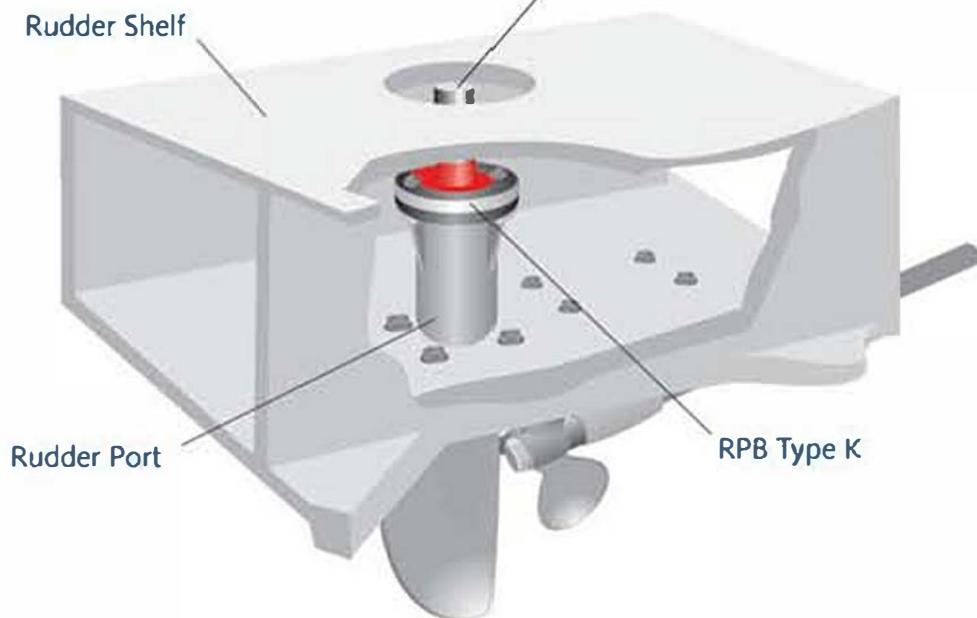
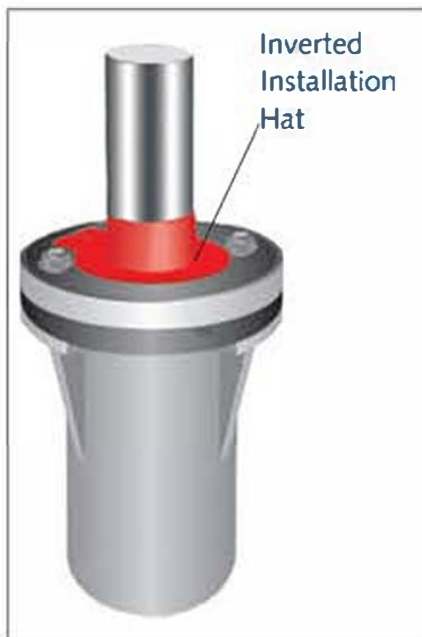
The Type K unit consists of a one-piece UHMW housing with a nitrile lip seal. The unit eliminates metal-on-metal contact and the associated problems of abrasion, electrolysis and corrosion. They are 100% watertight and reduce rudder chatter and vibration resulting in quieter, smoother rudder system performance.

Rudder Port Bearings - With Seals

Type K

PRODUCT OVERVIEW

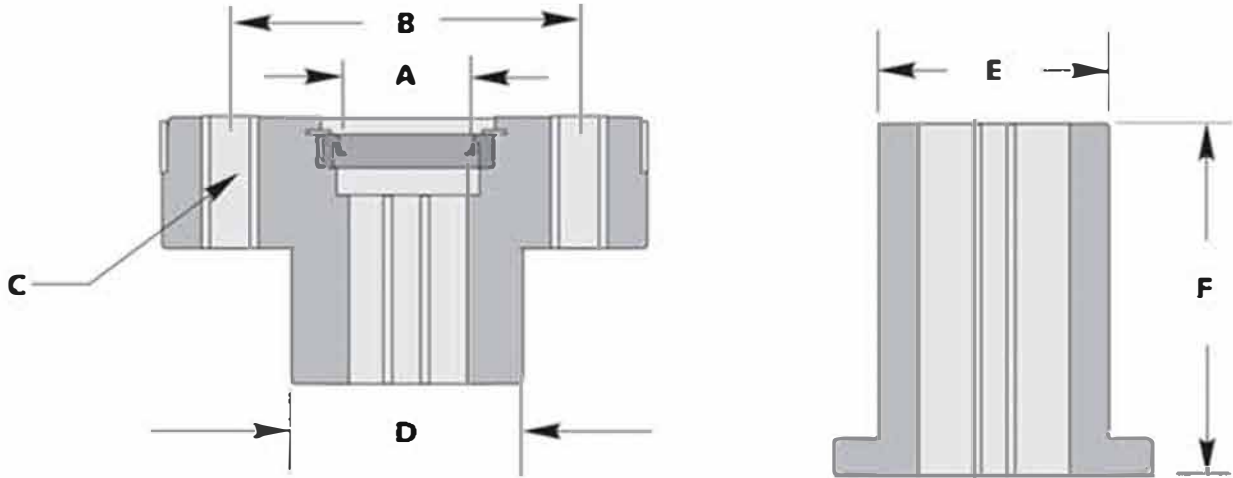
If space is available, the red "hat" installation tool can be inverted and rested on top of the rudder bearing to help protect the lip seal from debris.



Rudder Port Bearings - With Seals

Type K

BEFORE ORDERING



Tides Marine makes RPB Type K units to builder specifications. When placing an order, please specify the exact diameter of your rudder stock (.000"), the distance between the centers of the mounting studs, the stud size and the I.D. of the rudder port into which the unit will be mounted. Match this combination to one of the line items in the table below. If your installation is not in this table, please contact Tides Marine for assistance.

If you are replacing a marine bearing, please provide the O.D. of the bearing and its length.

Type K

Specifications (dimensions in inches)

RUDDER STOCK OD	STUD CENTERS	STUD SIZE	BARREL OD	BUILDER	PART NUMBER
A	B	C	D		
.1 1/4	2 13/16	3/8	No	Bertram	RPB-K-1250-00
1 3/4	3 1/16	3/8	No	Bertram	RPB-K-1750-00
1.925	3 5/8	3/8	No	Bertram	RPB-K-1925-00
2	4	1/2	Yes	Hatteras	RPB-KT-2000-00
2	4 1/8	1/2	Yes	Viking	RPB-KT-2000-01
2	4 3/16	1/2	Yes	Davis	RPB-KT-2000-02
2.49	4 1/8	3/8	No	Bertram	RPB-K-2490-00
2 1/2	4 1/2	1/2	Yes	Hatteras	RPB-KT-2500-00
2 1/2	5 1/4	1/2	Yes	Viking	RPB-KT-2500-02
3	5	1/2	Yes	Hatteras	RPB-KT-3000-00