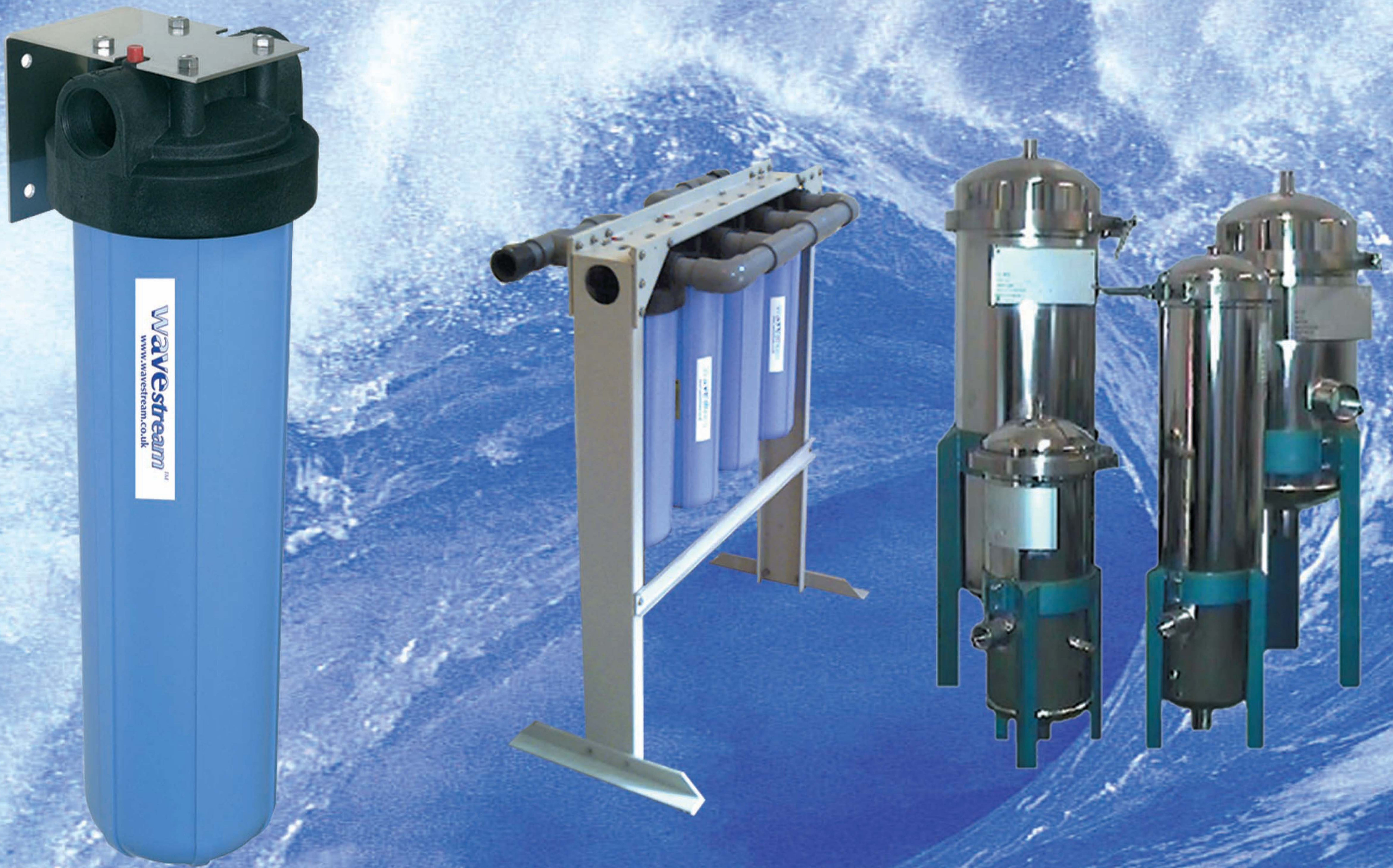


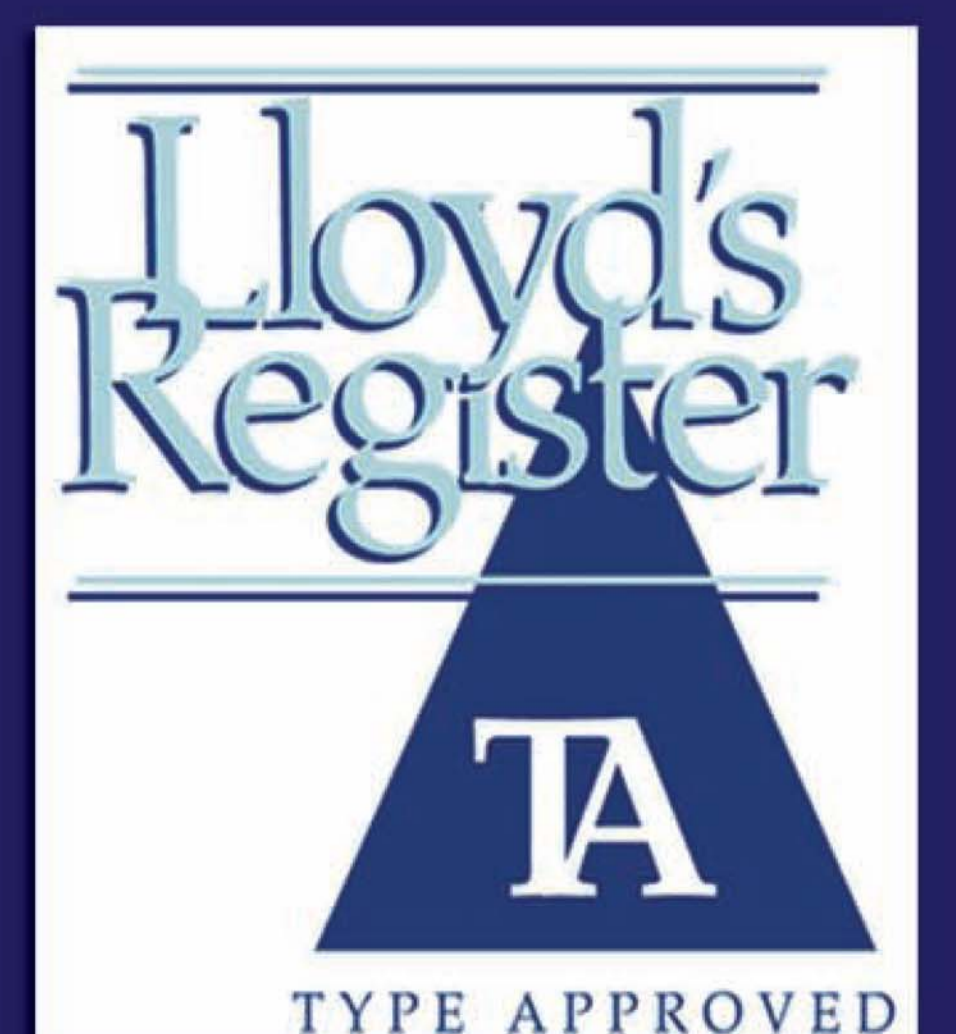


WavestreamTM



Bilge Water Polishing Filters

*Effective control of bilge water
separator discharge*



**LLOYDS TYPE APPROVED
BILGE WATER POLISHING
FILTER SYSTEMS**

Wavestream simply and economically removes all trace oils, controlling the discharge from oil water separators, ensuring improved overboard water quality, fewer shut downs and less maintenance.

Used by shipping and tanker fleets as a secondary system to improve bilge pumping operations.

Also used as a primary system in workboats, superyachts, fishing boats, lifeboats, pilot and patrol boats.

There is a wide range of single or multiple cartridge housings in polypropylene and stainless steel to cover all bilge pump and separator installations. Systems are available to suit any weight and space requirement.

wavestream™



**Wavestream
System 3 (WSS3)**

**Wavestream
System 3 4STAND
(WSS3 4STAND)
shown with manifold**

The WSS3 is very popular for workboats and small ships, installed in single and multiple sets. Most shipping applications will use a set of two or four of these systems in series, see the WSS3 4STAND.

Mounting stands and manifolds can be supplied to suit any requirements.

The WSS3 is used in single and multiple sets. Most shipping applications will use a set of two or four of these systems in series.

This configuration offers low capital cost while maintaining high efficiency and low maintenance.

**Lloyds Register of Shipping
Type Approved**





Wavestream Stainless Steel Systems

The stainless steel systems are all based around the same cartridge as used in the Wavestream System 3. Available in single or multiple cartridge housings, upto 5 per housing.

All housings are designed to PD5500:2003 and manufactured to PED 97/23/EC. All specifications available on request.

Effective and long lasting oil removal

The Wavestream cartridge uses a unique filter media developed to extract all types of oil from bilge water.

Wavestream removes dispersed and dissolved oils, and importantly emulsions.

Due to the filter media, and the method it uses to remove the contamination, oil removal is not affected by high flow rates of bilge water. Therefore the systems cover a wide range of separator and bilge pump installations.

The Wavestream filter is simply installed before the oil in water monitor and discharge point, after the separator and bilge pump. Ensuring only clean, oil free water, within legal limits is pumped overboard.

Cartridge change out is quick and simple and can become part of a regular maintenance schedule or as required by the oil in water monitor.



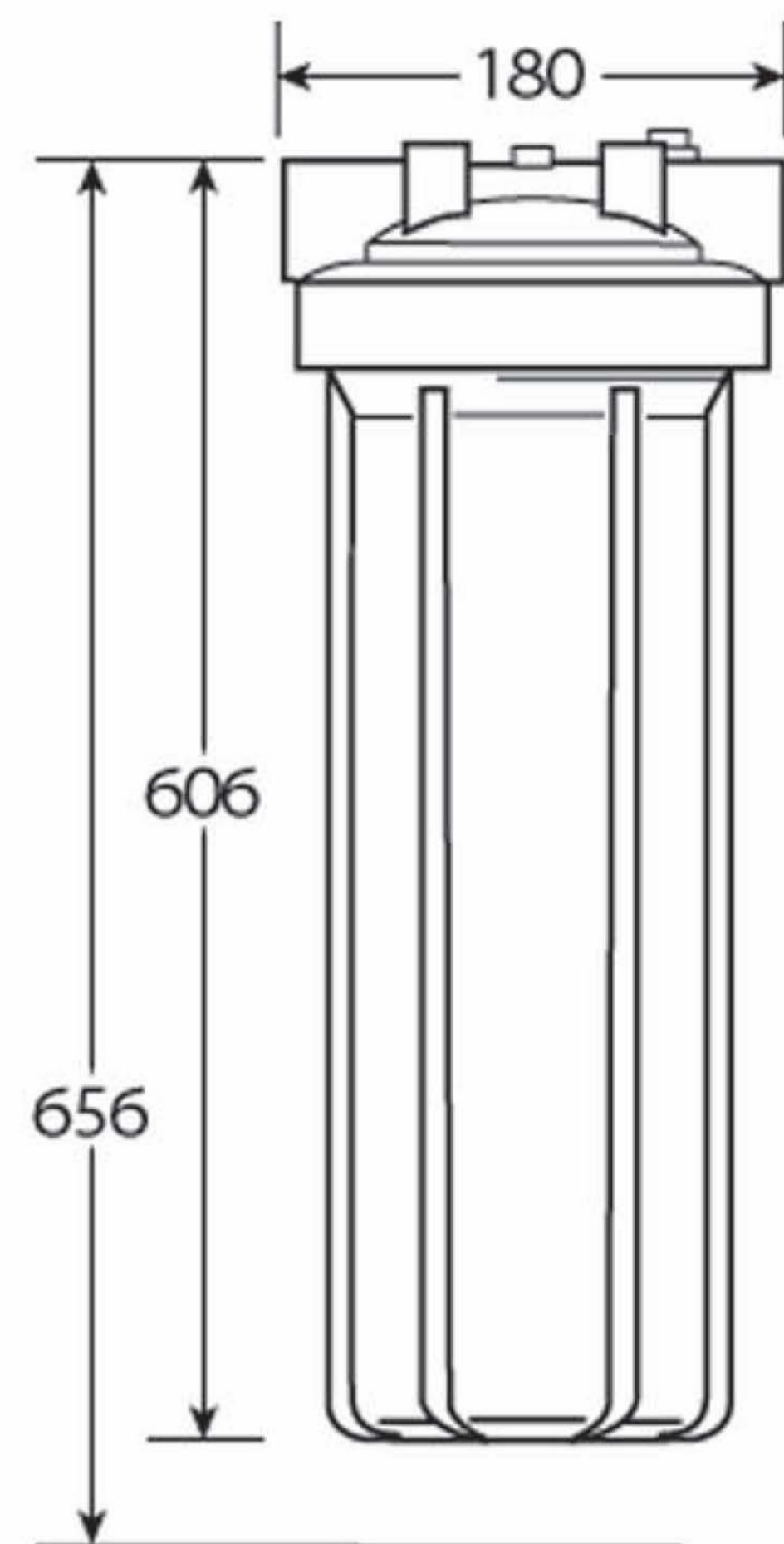
Stainless Steel Housings



Wavestream Specifications

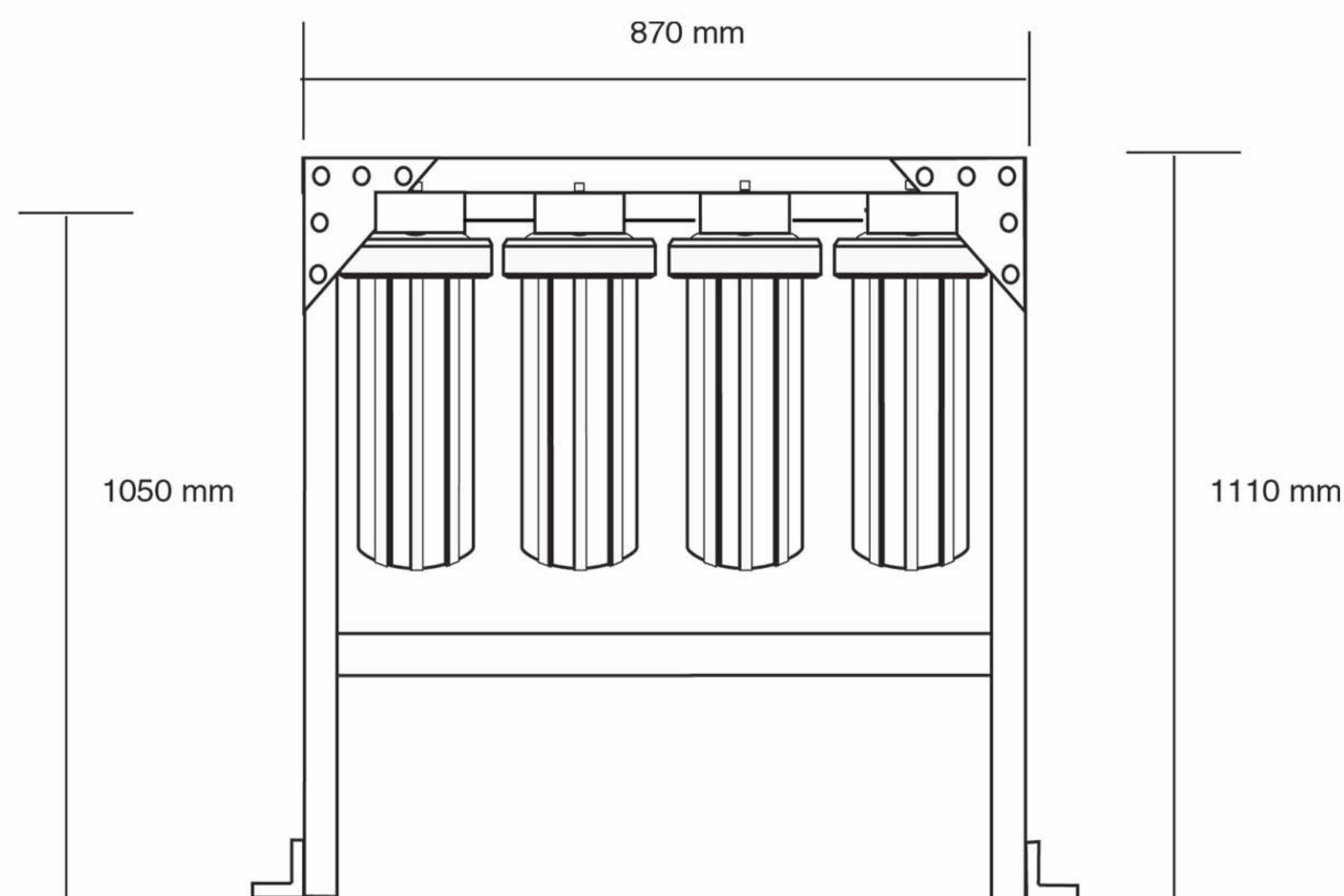
Wavestream System 3

Flow rate	1-15 M ³ /hr.
Max. pressure	6.2 bar
Max. temperature	37 deg. C
Min. temperature	1 deg. C
Connection	1 1/2" BSP
Cartridge part #	WS-C3



Wavestream System 3 4STAND

Flow rate	1-60 M ³ /hr.
Max. pressure	6.2 bar
Max. temperature	37 deg. C
Min. temperature	1 deg. C
Connection	1 1/2" BSP
Cartridge part #	WS-C3



Stainless Steel Systems

Single and multiple cartridge housings and bespoke systems available.

Further information on request.



Wavestream Bilge Water Polishing Systems

**Lloyds Type Approved,
efficient, effective and
low cost**

YOUR LOCAL WAVESTREAM STOCKIST:



Australasia/Pacific

www.tidesmarine.com.au

info@tidesmarine.com.au

+61 402 062 447

www.wavestream.co.uk

